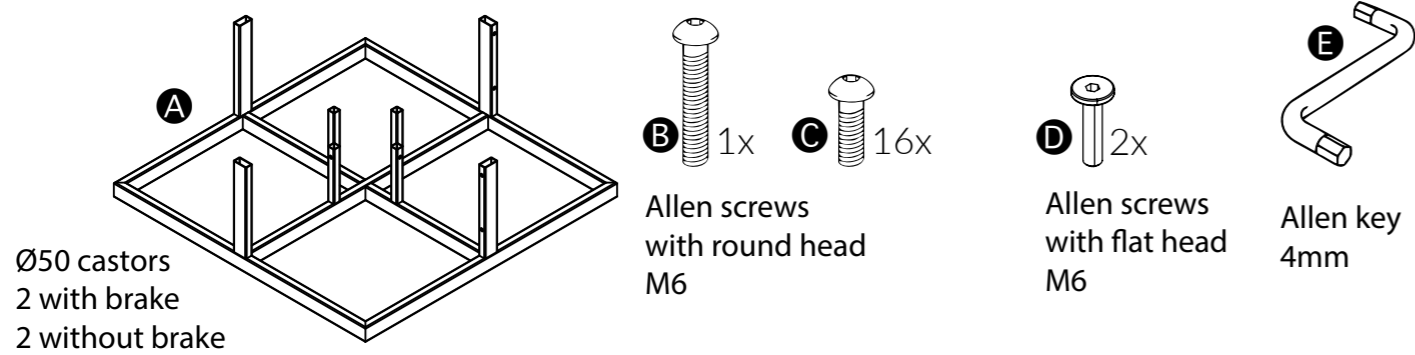


**THE STAND IS DISTRIBUTED ON A 1200X800 PALLET
INSIDE FOUR CARDBOARD BOXES.**

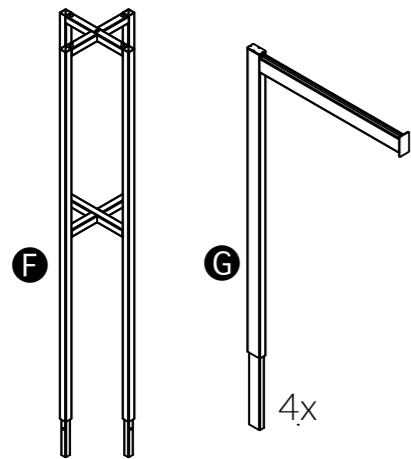
Cardboard box 1, measuring 830x830x370, features:

- four-caster base **A**
- zip bag with screws **B C D** and allen key **E** 4mm



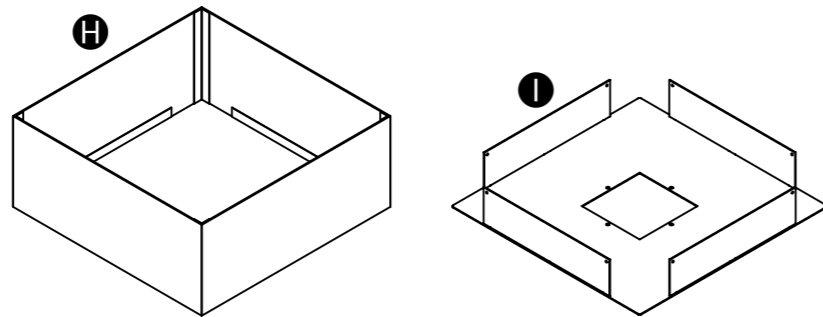
Cardboard box 2, measuring 535x1,135x235, features:

- middle frame **F**
- four outer beams **G** ("L" frame)



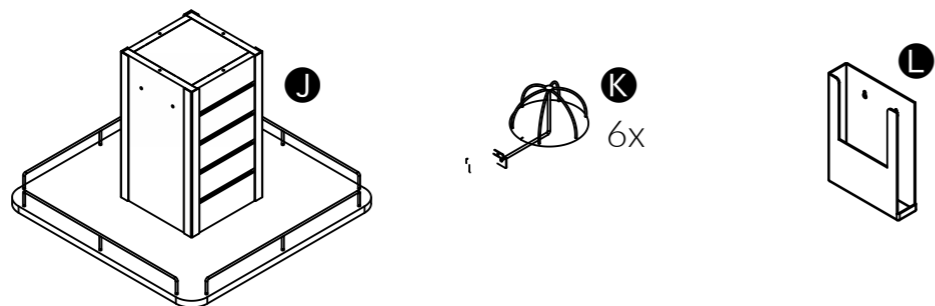
Cardboard box 3, measuring 605x605x260, features:

- topper **H**
- topper sheet **I**



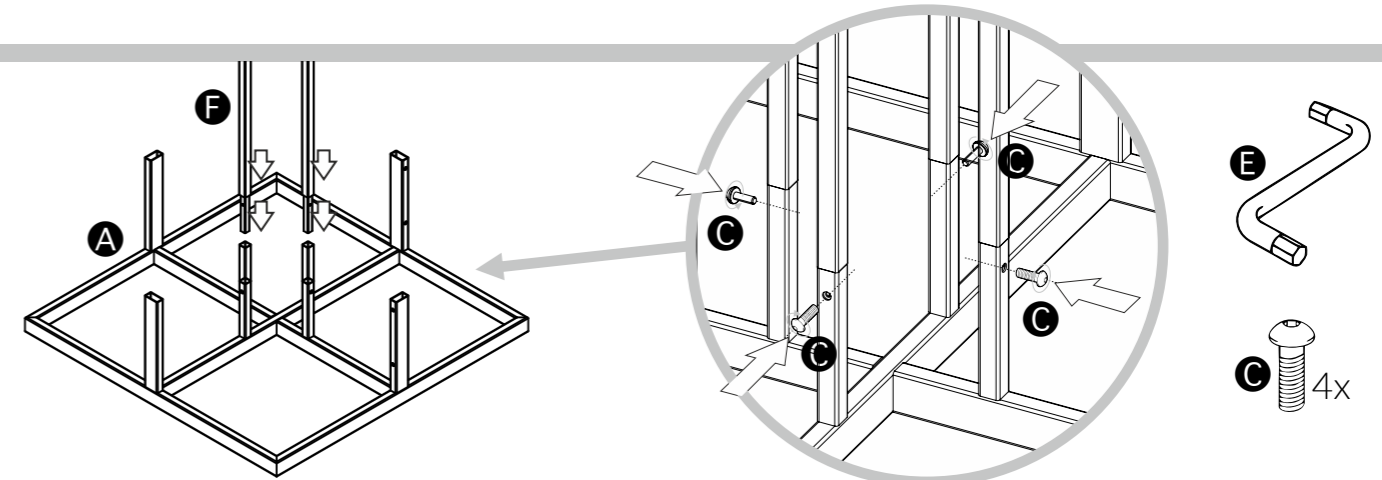
Cardboard box 4, measuring 605x605x430, features:

- the top structure made of wooden panel **J**
- six cap hangers **K**
- leaflet compartment **L**

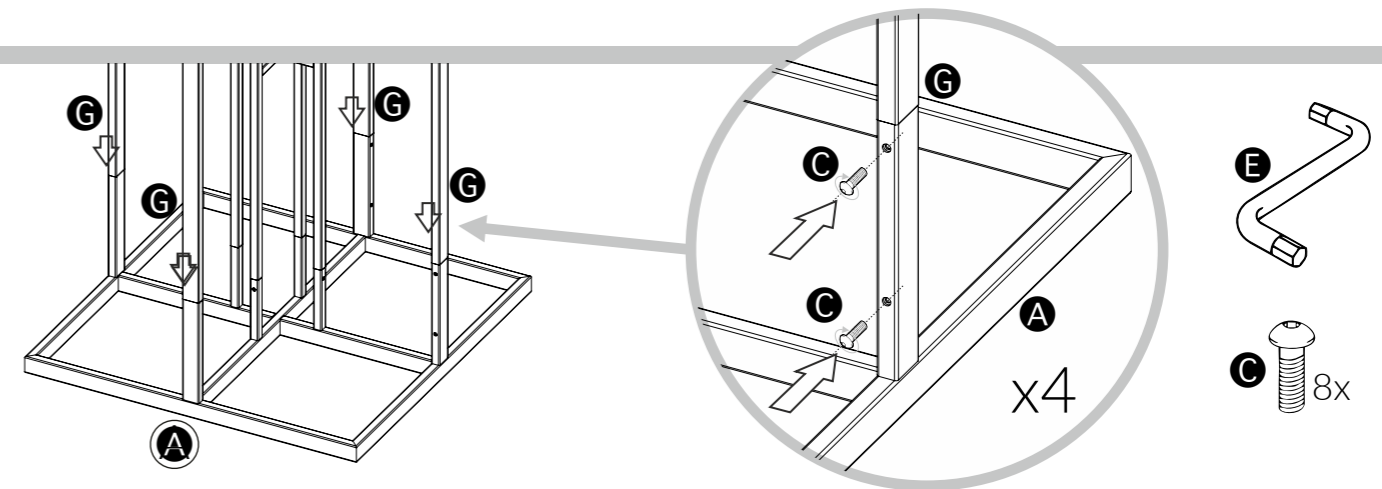


ASSEMBLY

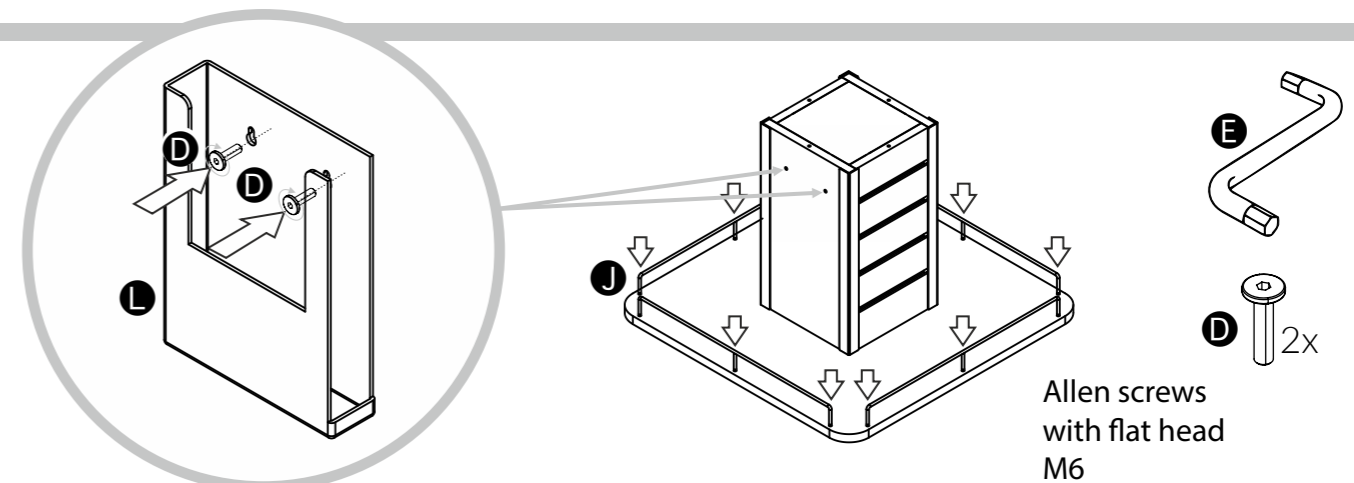
Take the base **A**, the four outer beams **G** and the middle frame **F** out of cardboard boxes 1 and 2. Place the middle frame of the stand **F** on the four inner connectors of the base **A**, then screw them together using four round screws **C** M6x12, use allen key **E** 4mm



Place the four outer beams **G** on the outer connectors of the base **A**, screw using 8 round screws **C** M6x12, use allen key **E** 4mm



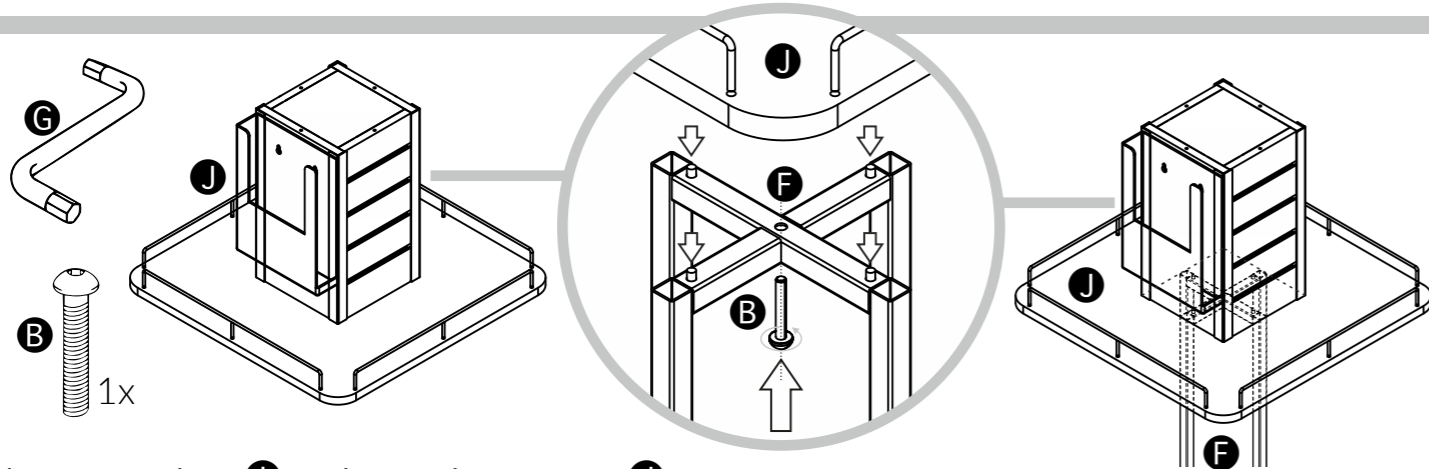
Take the panel structure made of wood **J** out of cardboard box 4, screw the leaflet compartment **L** to it with two pan head screws **D**, use allen key **E** 4mm. Insert a wire restraint into the holes drilled in the base of the wooden structure.



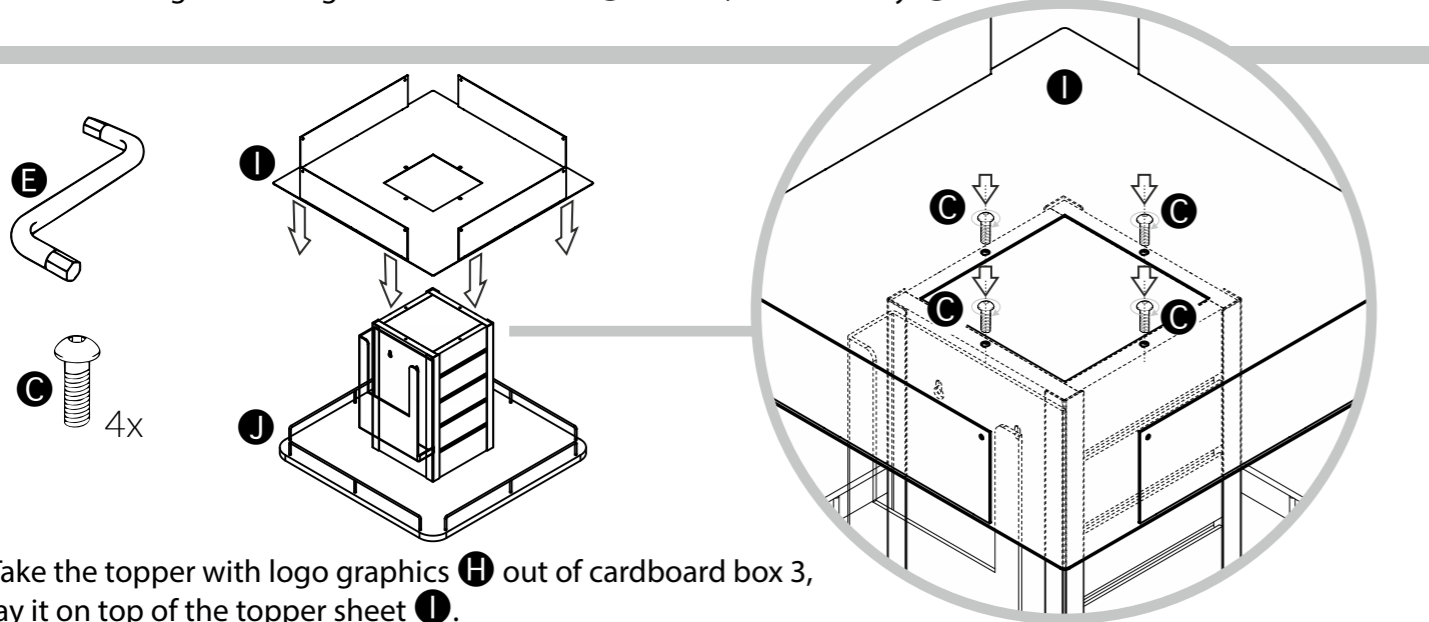
Allen screws
with flat head
M6

ASSEMBLY

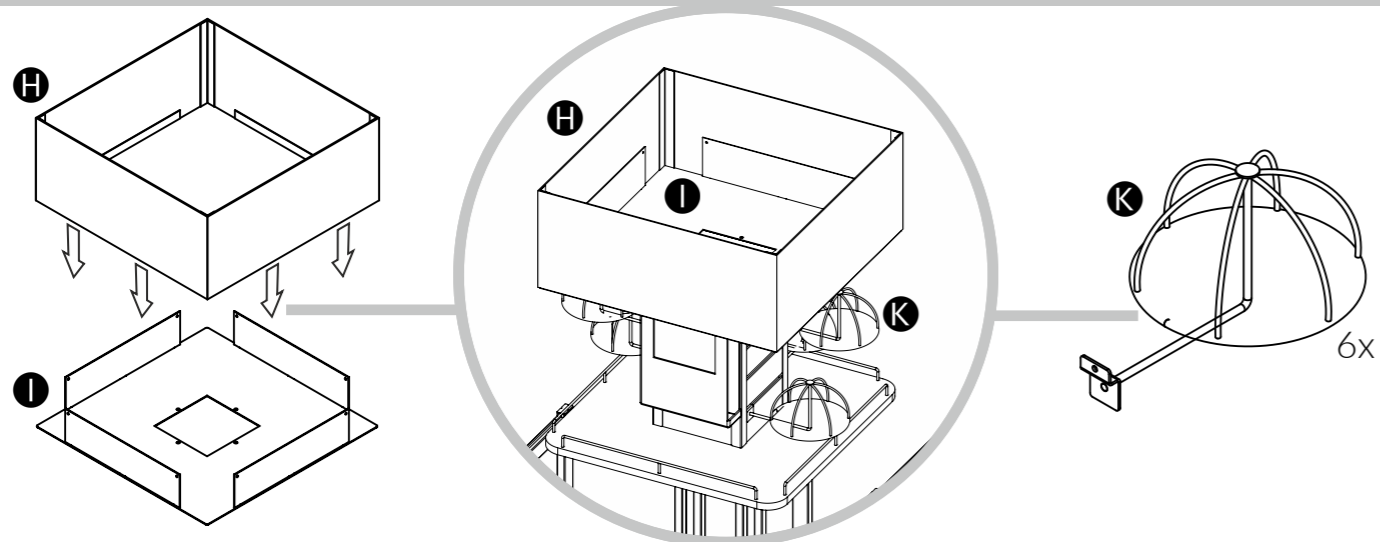
Place the wooden structure **J** on top of the middle frame **F** of the stand
 - with the peg holes protruding at the top of the frame **F**.
 Screw together the wooden structure **J** with the frame **F** using one round screw **B** M6x30
 through the fi8 hole in the top of the middle frame **F**



Place topper sheet **I** on the wooden structure **J**,
 then screw together using four round screws **C** M6x12, use allen key **E** 4mm

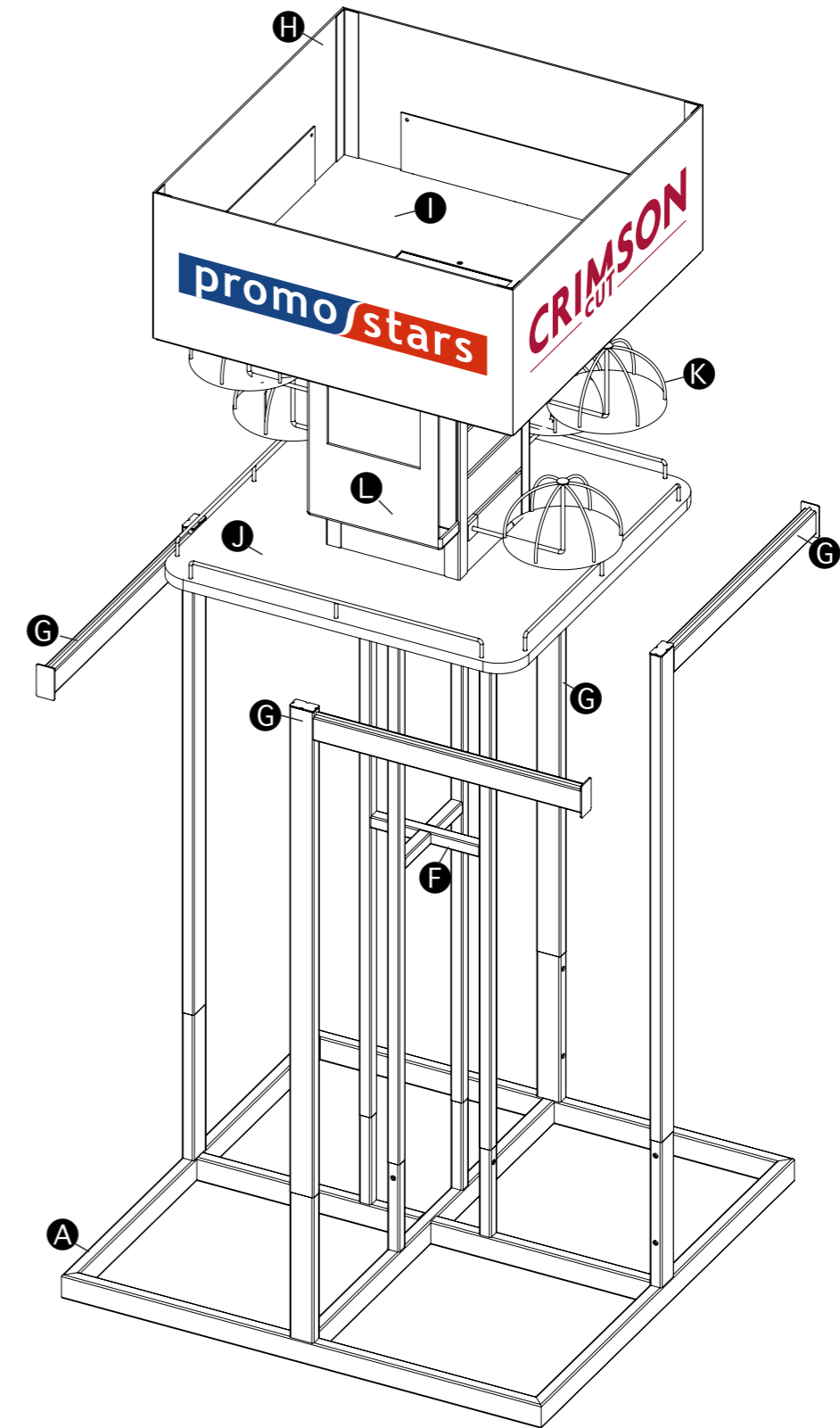


Take the topper with logo graphics **H** out of cardboard box 3,
 lay it on top of the topper sheet **I**.
 Insert six **K** wire hangers for caps into the spacewall slots.



3.

ASSEMBLY



8305.00.00_Expositor